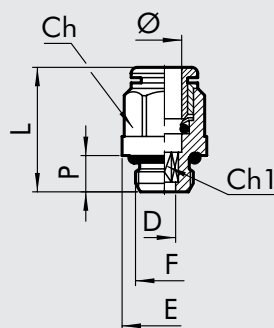


MESSING VERSCHRAUBUNGEN VERNICKELT

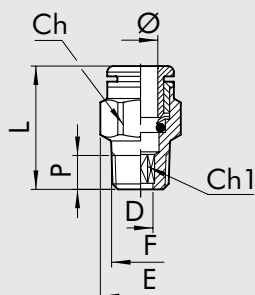
GERADE VERSCHRAUBUNGEN- ZYLINDRISCH (R1)



Bestellnr.	Ref.	Ø	F	Ch	Ch1	P	L	D	E
MINIATUR SERIE FOX									
2001B01	R1	3	M3	Ø 5.8	1.5	3	12.6	1.5	5.8
2001B02	R1	3	M5	Ø 5.8	2	3.5	13.0	2	5.8
2001A01	R1	3.17	M3	Ø 5.8	1.5	3	12.6	1.5	5.8
2001A02	R1	3.17	M5	Ø 5.8	2	3.5	13.0	2	5.8
2L01001	RL1	4	M5	Ø 9	2.5	4	19.3	2.6	9
2L01020	RL1	4	M7	Ø 9	3	5	17.9	3.1	9.8
2L01002	RL1	4	1/8	10	3	6	17	3.1	14
2L01003	RL1	4	1/4	10	3	8	19	3.1	18
2L01000	RL1	6	M5	Ø 11	2.5	4	20.9	2.6	11
2L01021	RL1	6	M7	Ø 11	4	5	22	4.1	11
2L01101	RL1	6	M12x1,5	12	4	8	22.2	4.1	17
2L01007	RL1	6	1/8	12	4	6	20.6	4.1	14
2L01008	RL1	6	1/4	12	4	8	19.3	4.1	18
2L01102	RL1	8	M12x1,5	14	6	8	24.1	6.2	17
2L01009	RL1	8	1/8	13	5	6	24.5	5.2	14
2L01010	RL1	8	1/4	14	6	8	24.4	6.2	18
2L01011	RL1	8	3/8	14	6	9	21.9	6.2	22
2L01012	RL1	10	1/4	16	7	8	28.5	7.2	18
2L01013	RL1	10	3/8	16	8	9	25.8	8.2	22

SERIE R									
2001001	R1	4	M5	Ø 10.9	2.5	4.0	21.5	2.6	10.9
2001002	R1	4	1/8	12	3	6.0	21.5	3.1	14.0
2001003	R1	4	1/4	12	3	8.0	22.0	3.1	18.0
2001004	R1	5	M5	Ø 12	2.5	4.0	22.5	2.6	12.0
2001005	R1	5	1/8	13	3	6.0	22.0	3.1	15.0
2001006	R1	5	1/4	12	3	8.0	24.0	3.1	18.0
2001000	R1	6	M5	Ø 13	2.5	4.0	22.0	2.6	13.0
2001007	R1	6	1/8	13	4	6.0	24.0	4.2	15.0
2001008	R1	6	1/4	13	4	8.0	24.0	4.2	18.0
2001009	R1	8	1/8	15	5	6.0	27.5	5.2	16.5
2001010	R1	8	1/4	15	6	8.0	25.5	6.2	18.0
2001011	R1	8	3/8	15	6	9.0	25.0	6.2	22.0
2001012	R1	10	1/4	18	7	8.0	32.0	7.2	20.0
2001013	R1	10	3/8	18	8	9.0	31.5	8.2	22.0
2001019	R1	12	1/4	21	10	9.0	35.0	10.2	24.0
2001014	R1	12	3/8	22	10	11.0	35.4	10.2	26.0
2001015	R1	12	1/2	24	10	9.0	34.3	10.2	28.0
2001016	R1	14	3/8	24	12	11.0	39.0	12.2	28.0
2001017	R1	14	1/2	21	14	11.0	39.0	7.2	24.0
2001101	R1	6	M12X1.5	13	4	8.0	24.0	4.2	17.0
2001102	R1	8	M12X1,5	15	6	8.0	26.0	6.2	17.0

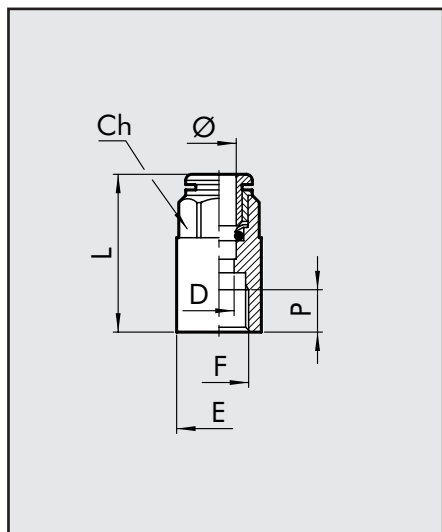
GERADE VERSCHRAUBUNGEN- KONISCH (R1C)



Bestellnr.	Ref.	Ø	F	Ch	Ch1	D	E	L	P
MINIATUR SERIE FOX									
2L01C02	RL1C	4	1/8	10	3	3.1	11.1	17.5	6.2
2L01C07	RL1C	6	1/8	12	4	4.1	13.3	21.5	6.2
2L01C08	RL1C	6	1/4	12	4	4.1	13.4	21.3	8.5
2L01C09	RL1C	8	1/8	13	5	5.2	14.3	25.1	6.2
2L01C10	RL1C	8	1/4	14	6	6.2	15.4	24.6	8.5
2L01C11	RL1C	8	3/8	14	6	6.2	16.6	24.1	9.0
2L01C13	RL1C	10	1/4	16	7	7.2	17.7	28.2	8.5
2L01C14	RL1C	10	3/8	16	8	7.2	17.7	25.3	9.0
SERIE R									
2001C15	R1C	12	3/8	19	7	7.2	19	33	11.5
2001C16	R1C	12	1/2	22	10	10.2	19	35.5	13.5
2001Z07	R1Z	6	12x1 con.	13	-	12.5	-	24	9.0
2001Z08	R1Z	6	12x1.25 con.	13	-	12.5	-	24	9.0



GERADE VERSCHRAUBUNG (R2)



Bestellnr.	Ref.	Ø	F	Ch	P	L	D	E
------------	------	---	---	----	---	---	---	---

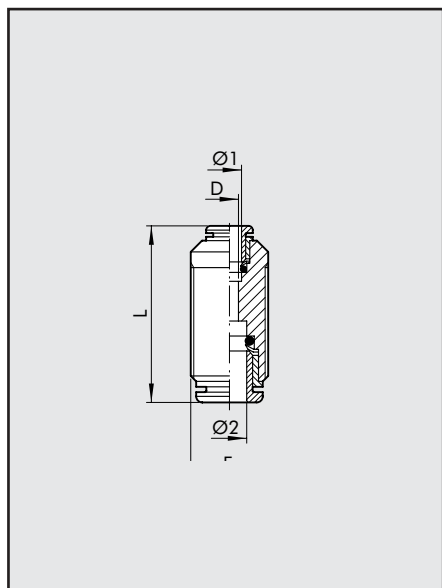
MINIATUR SERIE FOX

2002B02	R2	3	M5	7	4.5	15.7	2.5	7.8
2002A02	R2	3.17	M5	7	4.5	15.7	2.5	7.8
2L02001	RL2	4	1/8	10	7	25.2	3	14
2L02002	RL2	4	1/4	10	8	27.5	3	17
2L02005	RL2	6	1/8	12	7	26.1	5	14
2L02006	RL2	6	1/4	12	8	28.3	5	17
2L02007	RL2	8	1/8	13	7	27.3	7	14
2L02008	RL2	8	1/4	14	8	29.1	7	17

SERIE R

2002001	R2	4	1/8	11	7.0	28.0	3.0	14.0
2002002	R2	4	1/4	11	8.0	30.5	3.0	17.0
2002003	R2	5	1/8	12	7.0	27.0	4.0	14.0
2002004	R2	5	1/4	12	8.0	29.5	4.0	17.0
2002005	R2	6	1/8	13	7.0	27.0	5.0	15.0
2002006	R2	6	1/4	13	8.0	29.5	5.0	17.0
2002007	R2	8	1/8	15	7.0	30.0	7.0	17.0
2002008	R2	8	1/4	15	8.0	32.0	7.0	17.0

GERADE STECKVERBINDUNG (R3)



Bestellnr.	Ref.	Ø1	Ø2	F	L	D
------------	------	----	----	---	---	---

MINIATUR SERIE FOX

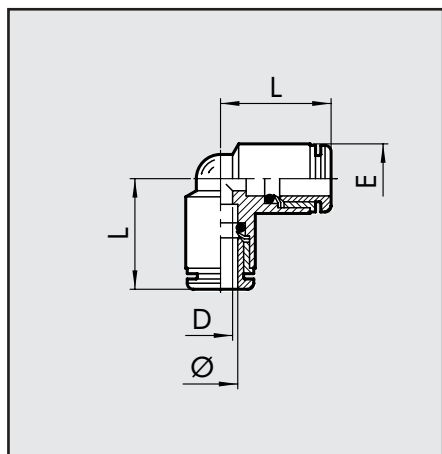
2003A02	R3	3	3	M8x0.75	18.4	2
2003A01	R3	3.17	3.17	M8x0.75	18.4	2
2L03001	RL3	4	4	M11x1	28.6	2.5
2L03003	RL3	6	6	M13x1	31.2	4.5
2L03004	RL3	8	8	M15x1	33.9	6.5
2L03005	RL3	10	10	M17x1	37.8	8

2L03301	RL3	4	6	M13x1	31	2.5
2L03302	RL3	4	8	M15x1	33	2.5
2L03303	RL3	6	8	M15x1	33.7	4.5
2L03304	RL3	6	10	M17x1	36	4.5
2L03305	RL3	8	10	M17x1	36.6	6.5

SERIE R

2003001	R3	4	4	M13x1	34.0	3
2003002	R3	5	5	M14x1	33.5	4
2003003	R3	6	6	M15x1	33.5	5
2003004	R3	8	8	M17x1	40.0	7
2003005	R3	10	10	M20x1	44.5	9
2003006	R3	12	12	M22x1	50.5	11
2003007	R3	14	14	M24x1	53.0	12

WINKEL-STECKVERBINDUNG (R4)



Bestellnr.	Ref.	Ø	L	D	E
------------	------	---	---	---	---

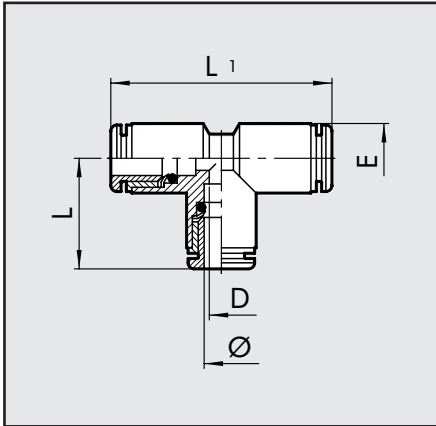
MINIATUR SERIE FOX

2004A02	R4	3	10.4	2	6.3
2004A01	R4	3.17	10.4	2	6.3
2L04001	RL4	4	16	2.5	9.5
2L04003	RL4	6	18.3	4.5	11.5
2L04004	RL4	8	20.7	6.5	13.5
2L04005	RL4	10	23	8	15.5

SERIE R

2004001	R4	4	18.2	3	11.5
2004002	R4	5	19.2	3	13.5
2004003	R4	6	19.7	4.5	13.5
2004004	R4	8	23.2	6	15.5
2004005	R4	10	27.5	8	18.0
2004006	R4	12	32.5	10	22.0
2004007	R4	14	33.5	12	25.0

T-STECKVERBINDUNG (R5)



Bestellnr.	Ref.	Ø	L	L1	D	E
------------	------	---	---	----	---	---

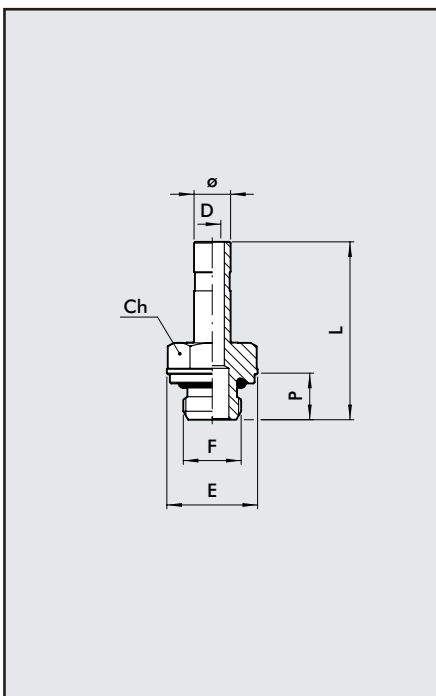
MINIATUR SERIE FOX

2005A02	R5	3	10.4	20.8	2	6.3
2005A01	R5	3.17	10.4	20.8	2	6.36
2L05001	RL5	4	16	32	2.5	9.5
2L05003	RL5	6	18.3	36.6	4.5	11.5
2L05004	RL5	8	20.7	41.4	6.5	13.5
2L05005	RL5	10	23	46	8	15.5

SERIE R

2005001	R5	4	18.2	36.4	3	11.5
2005002	R5	5	19.2	38.4	3	13.5
2005003	R5	6	19.7	39.4	4.5	13.5
2005004	R5	8	23.2	46.4	6	15.5
2005005	R5	10	27.5	55	8	18.0
2005006	R5	12	32.5	65	10	22.0
2005007	R5	14	33.5	67	12	25.0

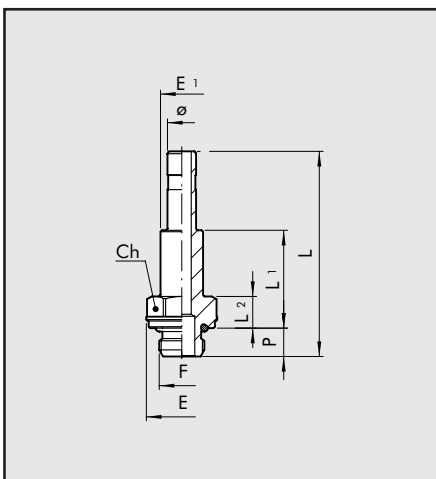
GERADE EINSCHRAUBTÜLLE (R6)



Bestellnr.	Ref.	Ø	F	Ch	P	L	D	E
------------	------	---	---	----	---	---	---	---

2006A02	R6	3	M5	5	3.5	17.1	2.0	5.8
2006A01	R6	3.17	M5	5	3.5	17.1	2.0	5.8
2006001	R6	4	M5	8	4.0	25.2	2.5	9.0
2006020	R6	4	M7	8	5.0	26.5	2.5	9.8
2006002	R6	4	1/8	13	6.0	28.9	2.5	15.0
2006003	R6	4	1/4	14	8.0	32.4	2.2	18.0
2006004	R6	5	M5	8	4.0	25.2	2.7	9.0
2006005	R6	5	1/8	13	6.0	28.9	3.0	15.0
2006006	R6	5	1/4	14	8.0	32.4	3.0	18.0
2006000	R6	6	M5	9	4.0	25.7	2.7	10.0
2006021	R6	6	M7	8	5.0	27	4	9.8
2006007	R6	6	1/8	13	6.0	29.4	4.0	15.0
2006008	R6	6	1/4	14	8.0	32.9	4.0	18.0
2006009	R6	8	1/8	13	6.0	30.6	5.5	15.0
2006010	R6	8	1/4	14	8.0	34.0	6.0	18.0
2006011	R6	8	3/8	17	9.0	35.4	6.0	22.0
2006012	R6	10	1/4	14	8.0	35.6	7.8	18.0
2006013	R6	10	3/8	17	9.0	37.1	8.0	22.0
2006019	R6	12	1/4	14	8	38.0	7.8	18.0
2006014	R6	12	3/8	17	9.0	39.5	10.0	22.0
2006015	R6	12	1/2	22	11.0	41.5	10.0	26.0
2006016	R6	14	3/8	17	9.0	44.9	10.0	22.0
2006017	R6	14	1/2	22	11.0	46.9	12.0	26.0
2006101	R6	6	M12X1.5	13	8	33.0	4.0	17.0
2006102	R6	8	M12X1.5	13	8	33.7	6.0	17.0

VERLÄNGERTER EINSCHRAUBTÜLLE (R18)



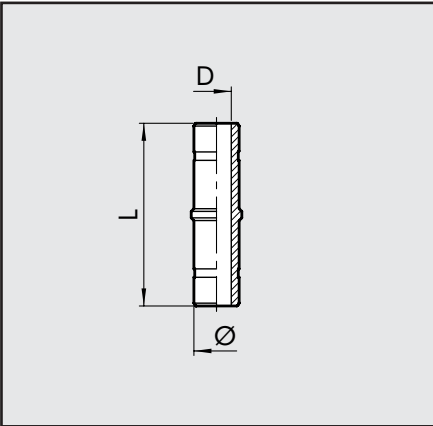
Bestellnr.	Ref.	Ø	F	Ch	P	L	L1	L2	E	E1
------------	------	---	---	----	---	---	----	----	---	----

2018002	R18	4	1/8	13	6	40.4	18.2	6.7	15	7
2018007	R18	6	1/8	13	6	43.4	20.7	6.7	15	9
2018008	R18	6	1/4	14	8	46.9	22.2	8.2	18	9
2018009	R18	8	1/8	13	6	46.5	22.7	6.7	15	11
2018010	R18	8	1/4	14	8	50.0	24.2	8.2	18	11
2018011	R18	8	3/8	17	9	51.4	24.7	8.7	22	13
2018012	R18	10	1/4	14	8	54.6	27.2	8.2	18	12
2018013	R18	10	3/8	17	9	56.1	27.7	8.7	22	12



DOPPELSTECKNIPPEL (R7)

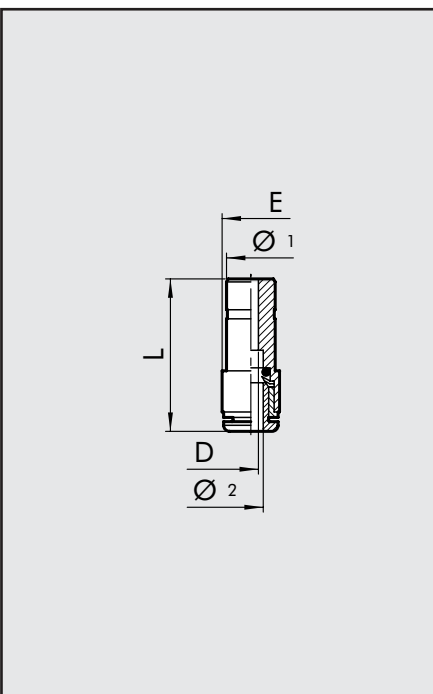
Bestellnr. Ref. Ø L D



2007001	R7	4	34.0	2
2007002	R7	5	34.0	3
2007003	R7	6	37.5	4
2L07004	RL7	8	37.5	6
2007005	R7	10	45.0	8
2007006	R7	12	48.0	10
2007007	R7	14	52.0	12

REDUZIERSTECKTÜLLE (R8)

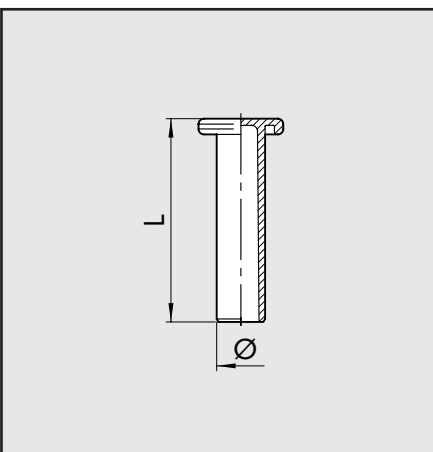
Bestellnr. Ref. Ø1 Ø2 L D E



MINIATUR SERIE FOX						
2008A01	R8	4	3	26	2	6.3
2008A02	R8	4	3.17	26	2	6.3
2L08002	RL8	6	4	28.9	2.5	9.5
2L08004	RL8	8	4	28	2.5	9.5
2L08006	RL8	8	6	31.6	4.5	11.5
2L08007	RL8	10	6	32.9	5.0	11.5
2L08008	RL8	10	8	34.5	7.0	13.5
SERIE R						
2008001	R8	5	4	34.5	3.0	11.5
2008002	R8	6	4	35.0	3.0	11.5
2008003	R8	6	5	36.0	4.0	12.0
2008004	R8	8	4	36.0	3.0	11.5
2008005	R8	8	5	36.0	4.0	12.0
2008006	R8	8	6	38.0	5.0	13.5
2008007	R8	10	6	38.0	5.0	13.5
2008008	R8	10	8	43.5	7.0	15.5
2008009	R8	12	4	38.0	3.0	13.0
2008010	R8	12	6	39.0	5.0	13.5
2008011	R8	12	8	40.0	7.0	15.5
2008015	R8	12	10	47.5	9	18.0
2008014	R8	14	8	41.0	7.0	15.5
2008017	R8	14	10	44.0	9.0	18.0
2008018	R8	14	12	50.5	10.0	20.5
ZUSÄTZLICH						
2009001	R8/M	4	6	35.0	2.5	13.5

VERSCHLUßSTOPFEN (R9)

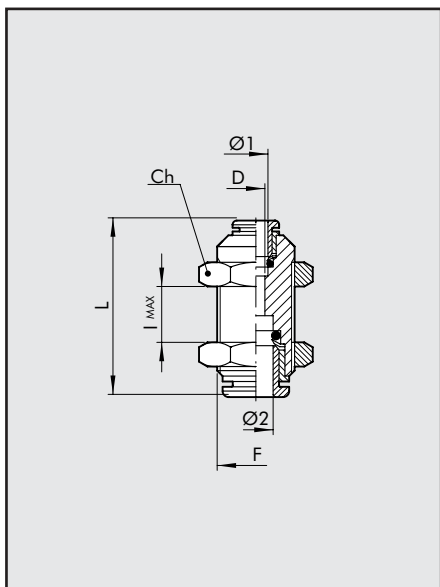
Bestellnr. Ref. Ø L



2010A02	R9	3	20
2L10A01*	RL9T	3.17	19.6
2L10001*	RL9T	4	27.0
2010002	R9	5	27.0
2L10003*	RL9T	6	29.8
2L10004*	RL9T	8	33.6
2L10005*	RL9T	10	36.8
2L10006*	RL9T	12	39
2010007	R9	14	38

* MATERIAL: TECHNOPOLYMER

GERADER VERBINDUNGSANSCHLUSS (R10)



Bestellnr.	Ref.	Ø1	Ø2	F	Ch	L	D	lmax
------------	------	----	----	---	----	---	---	------

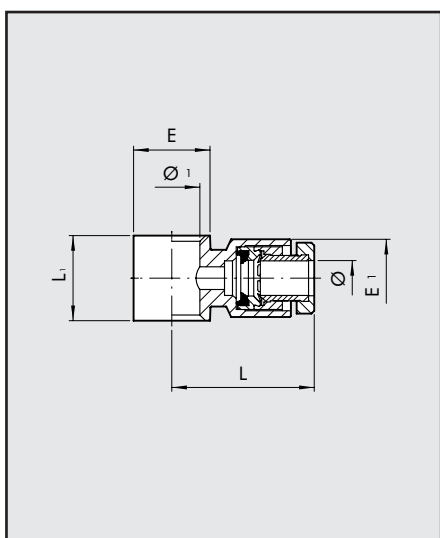
MINIATUR SERIE FOX

2011A02	R10	3	3	M8x0.75	10	18.4	2	5
2011A01	R10	3.17	3.17	M8x0.75	10	18.4	2	5
2L11001	RL10	4	4	M11x1	13	28.6	2.5	11
2L11003	RL10	6	6	M13x1	16	31.2	4.5	12
2L11004	RL10	8	8	M15x1	17	33.9	6.5	13.5
2L11005	RL10	10	10	M17x1	20	37.8	8	17
2L11301	RL10	4	6	M13x1	16	31	2.5	11
2L11302	RL10	4	8	M15x1	17	33	2.5	12
2L11303	RL10	6	8	M15x1	17	33.7	4.5	13
2L11304	RL10	6	10	M17x1	20	36	4.5	14.5
2L11305	RL10	8	10	M17x1	20	36.6	6.5	15

SERIE R

2011001	R10	4	4	M13x1	16	34.0	3	11
2011002	R10	5	5	M14x1	17	33.5	4	8
2011003	R10	6	6	M15x1	17	33.5	5	10.5
2011004	R10	8	8	M17x1	20	40.0	7	17
2011005	R10	10	10	M20x1	24	44.5	9	17
2011006	R10	12	12	M22x1	25	50.5	11	23
2011007	R10	14	14	M24x1	27	53.0	12	22

RINGANSCHLUSS (R13)



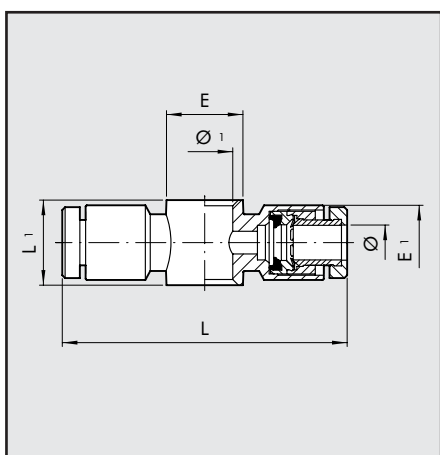
Bestellnr.	Ref.	Ø	Ø1	L	L1	E	E1
------------	------	---	----	---	----	---	----

SERIE R

2012A02	R13	3	M5	17.2	9.0	9.0	7.0
2012A01	R13	3.17	M5	17.2	9.0	9.0	7.0
2012001	R13	4	M5	28.0	9.0	9.5	10.9
2012002	R13	4	1/8	32.0	15.0	14.0	11.5
2012003	R13	5	M5	28.8	9.0	9.5	12.0
2012004	R13	5	1/8	32.0	15.0	14.0	12.0
2012005	R13	6	1/8	32.0	15.0	14.0	13.5
2012006	R13	6	1/4	36.5	17.0	18.0	13.5
2012007	R13	8	1/8	37.5	15.0	14.0	15.5
2012008	R13	8	1/4	41.0	17.0	18.0	15.5
2012009	R13	8	3/8	42.0	20.0	21.0	15.5
2012010	R13	10	1/4	43.5	17.0	18.0	18.0
2012011	R13	10	3/8	47.0	20.0	21.0	18.0
2012013	R13	12	1/4	46.5	17.0	18.0	20.2
2012012	R13	12	3/8	50.5	20.0	21.0	20.2
2012014	R13	12	1/2	54.5	24.0	26.0	20.2

Für die Hohlschrauben der Serie D, siehe Seite 4.1/37

DOPPELTER RINGANSCHLUSS (R14)



Bestellnr.	Ref.	Ø	Ø1	L	L1	E	E1
------------	------	---	----	---	----	---	----

SERIE R

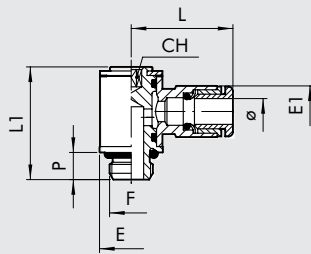
2013001	R14	4	M5	47.0	9.0	9.5	10.9
2013002	R14	4	1/8	50.0	15.0	14.0	11.5
2013003	R14	5	M5	48.0	9.0	9.5	12.0
2013004	R14	5	1/8	49.5	15.0	14.0	13.5
2013005	R14	6	1/8	50.0	15.0	14.0	13.5
2013006	R14	6	1/4	56.0	17.0	18.0	13.5
2013007	R14	8	1/8	60.0	15.0	14.0	15.5
2013008	R14	8	1/4	64.0	17.0	18.0	15.5
2013009	R14	8	3/8	63.0	20.0	21.0	15.5
2013010	R14	10	1/4	70.0	17.0	18.0	18.0
2013011	R14	10	3/8	73.0	20.0	21.0	18.0
2013013	R14	12	1/4	74.5	17.0	18.0	20.2
2013012	R14	12	3/8	79.5	20.0	21.0	20.2
2013014	R14	12	1/2	82.5	24.0	26.0	20.2

Für die Hohlschrauben der Serie D, siehe Seite 4.1/37



WINKELSCHWENK VERSCHRAUBUNG (R15)

Bestellnr. Ref. Ø F CH P L L1 E E1



MINIATUR SERIE FOX

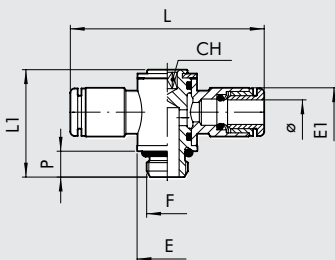
2014101	R15	3	M3	1.5	3	12.2	13.2	5.8	5.8
2014102	R15	3.17	M3	1.5	3	12.2	13.2	5.8	5.8
2014103	R15	3	M5	2	3.5	12.7	13.7	5.8	7.0
2014104	R15	3.17	M5	2	3.5	12.7	13.7	5.8	7.0
2L14001	RL15	4	M5	2	4	18.7	18.4	9.5	9.5
2L14020	RL15	4	M7	3	5	18.7	18.5	9.8	9.5
2L14002	RL15	4	1/8	3	6	20.3	24.9	14.0	9.5
2L14106	RL15	6	M5	2	4	22.7	18.4	9.5	11.3
2L14021	RL15	6	M7	3	5	22.7	18.5	9.8	11.3
2L14005	RL15	6	1/8	3	6	22.5	24.9	14.0	11.3
2L14007	RL15	6	1/4	4	8	24.2	29.4	18.0	11.3
2L14006	RL15	8	1/8	3	6	24.4	24.9	14.0	13.8
2L14008	RL15	8	1/4	4	8	26.1	29.4	18.0	13.8
2L14013	RL15	8	3/8	5	9	28.3	35.6	22.0	13.8
2L14009	RL15	10	1/4	4	8	31.3	29.4	18.0	16.5
2L14014	RL15	10	3/8	5	9	32	35.6	22.0	15.5

SERIE R

2014001	R15	4	M5	2	4	23.5	16.8	9.9	10.9
2014002	R15	4	1/8	3	6	25.0	27.0	14.0	11.5
2014003	R15	5	M5	2	4	24.0	19.0	9.9	12.0
2014004	R15	5	1/8	3	6	25.0	27.0	14.0	12.0
2014106	R15	6	M5	2	4	23.8	19.0	9.9	13.3
2014005	R15	6	1/8	3	6	25.0	27.0	14.0	13.5
2014007	R15	6	1/4	4	8	27.5	31.5	18.0	13.5
2014006	R15	8	1/8	3	6	30.0	27.0	14.0	15.5
2014008	R15	8	1/4	4	8	32.0	31.5	18.0	15.5
2014013	R15	8	3/8	5	9	31.5	36.0	22.0	15.5
2014009	R15	10	1/4	4	8	34.5	31.5	18.0	18.0
2014014	R15	10	3/8	5	9	36.5	36.0	22.0	18.0
2014010	R15	12	1/4	4	8	37.5	31.5	18.0	20.2
2014011	R15	12	3/8	5	9	40.0	36.0	22.0	20.2
2014012	R15	12	1/2	8	11	41.5	42.0	26.0	20.2

T-SCHWENKVERSCHRAUBUNG (R16)

Bestellnr. Ref. Ø F CH P L L1 E E1



MINIATUR SERIE FOX

2L15001	RL16	4	M5	2	4	37.5	18.4	9.5	9.5
2L15020	RL16	4	M7	3	5	37.4	18.5	9.8	9.5
2L15002	RL16	4	1/8	3	6	40.6	24.9	14.0	9.5
2L15106	RL16	6	M5	2	4	45.4	18.4	9.5	11.3
2L15021	RL16	6	M7	3	5	45.4	18.5	9.8	9.5
2L15005	RL16	6	1/8	3	6	45	24.9	14.0	11.3
2L15007	RL16	6	1/4	4	8	48.4	29.4	18.0	11.3
2L15006	RL16	8	1/8	3	6	48.8	24.9	14.0	13.8
2L15008	RL16	8	1/4	4	8	56.2	29.4	18.0	13.8
2L15013	RL16	8	3/8	5	9	56.6	35.6	18.0	16.5
2L15009	RL16	10	1/4	4	8	62.6	29.4	22.0	15.5
2L15014	RL16	10	3/8	5	9	64	35.6	22.0	13.8

SERIE R

2015001	R16	4	M5	2	4	47.0	16.8	9.9	10.9
2015002	R16	4	1/8	3	6	50.0	27.0	14.0	11.5
2015003	R16	5	M5	2	4	48.5	18.8	9.9	12.0
2015004	R16	5	1/8	3	6	49.5	27.0	14.0	13.5
2015005	R16	6	1/8	3	6	50.0	27.0	14.0	13.5
2015007	R16	6	1/4	4	8	56.0	31.5	18.0	13.5
2015006	R16	8	1/8	3	6	60.0	27.0	14.0	15.5
2015008	R16	8	1/4	4	8	64.0	31.5	18.0	15.5
2015009	R16	10	1/4	4	8	70.0	31.5	18.0	18.0
2015010	R16	12	1/4	4	8	74.5	31.5	18.0	20.2
2015011	R16	12	3/8	5	9	79.5	36.0	22.0	20.2
2015012	R16	12	1/2	8	11	82.5	42.0	26.0	20.2

**WINKELVERSCHRAUBUNGEN
ZYLINDRISCH (R31)**

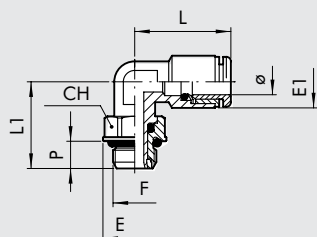
Bestellnr. Ref. Ø F CH E E1 L L1 P

MINIATUR SERIE FOX

2L31001	RL31	4	M5	9	9.9	9.5	17.6	15.3	4
2L31002	RL31	4	1/8	12	14	9.5	17.6	19.1	6
2L31003	RL31	4	1/4	14	18	9.5	17.6	21.1	8
2L31007	RL31	6	M5	9	9.9	11.3	20.9	15.3	4
2L31008	RL31	6	1/8	12	14	11.3	20.9	19.1	6
2L31009	RL31	6	1/4	14	18	11.3	20.9	21.1	8
2L31010	RL31	8	1/8	12	14	13.5	24.3	19.1	6
2L31011	RL31	8	1/4	14	18	13.5	24.3	21.1	8
2L31012	RL31	8	3/8	17	22	13.8	23.7	27.1	9
2L31013	RL31	10	1/4	14	18	15.5	26.5	21.8	8
2L31014	RL31	10	3/8	17	22	15.5	26.5	27.1	9

SERIE R (NICHT AUSTAUSCHBAR MIT R6-R18-R24 UND RL7 Ø8 - RL8)

2031001	R31	4	M5	9	10	10	22.5	17.5	4
2031002	R31	4	1/8	13	15	10	22.5	21	6
2031003	R31	4	1/4	16	18	10	22.5	23	8
2031004	R31	5	M5	9	10	11.5	23	17.5	4
2031005	R31	5	1/8	13	15	11.5	23	21	6
2031006	R31	5	1/4	16	18	11.5	23	24.5	8
2031007	R31	6	M5	9	10	12.5	24.5	17.5	4
2031008	R31	6	1/8	13	15	12.5	24.5	21	6
2031009	R31	6	1/4	16	18	12.5	26	24.5	8
2031010	R31	8	1/8	13	15	14.5	27.5	22.5	6
2031011	R31	8	1/4	16	18	14.5	27.5	24.5	8
2031012	R31	8	3/8	19	22	14.5	29.5	30.5	9
2031013	R31	10	1/4	16	18	17	31.5	26.5	8
2031014	R31	10	3/8	19	22	17	31.5	30.5	9
2031015	R31	10	1/2	22	26	17	32.5	32.5	11
2031016	R31	12	1/4	16	18	19	34.5	28	8
2031017	R31	12	3/8	19	22	19	34.5	31.5	9
2031018	R31	12	1/2	22	26	19	34.5	33	11
2031019	R31	14	1/2	22	26	21.5	37.5	34.5	11


**WINKELVERSCHRAUBUNG
KONISCH (R31C)**

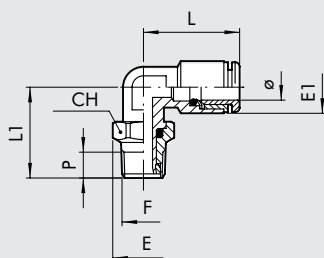
Bestellnr. Ref. Ø F Ch E E1 L L1 P

MINIATUR SERIE FOX

2L31C02	RL31/C	4	1/8	12	13.3	9.5	17.6	19.8	6.2
2L31C03	RL31/C	4	1/4	14	15.4	9.5	17.6	22.6	8.5
2L31C08	RL31/C	6	1/8	12	13.3	11.3	20.9	19.8	6.2
2L31C09	RL31/C	6	1/4	14	15.4	11.3	20.9	22.6	8.5
2L31C10	RL31/C	8	1/8	12	13.3	13.5	24.3	19.8	6.2
2L31C11	RL31/C	8	1/4	14	15.4	13.5	24.3	23.6	8.5
2L31C12	RL31/C	8	3/8	17	19.2	13.8	23.7	28.1	9
2L31C13	RL31/C	10	1/4	14	15.4	15.5	26.5	26.3	8.5
2L31C14	RL31/C	10	3/8	17	19.2	15.5	26.5	28.1	9

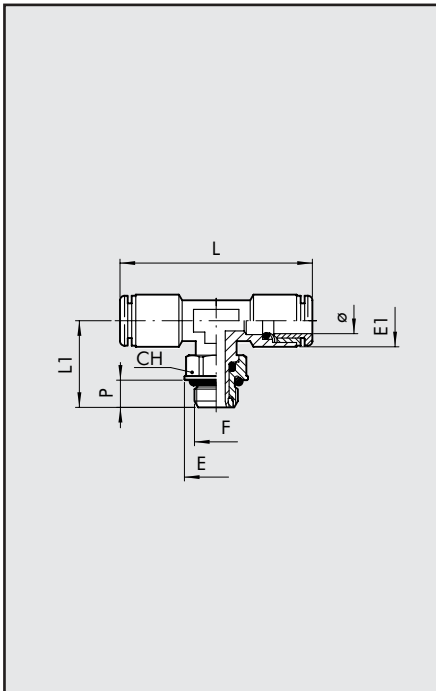
SERIE R (NICHT AUSTAUSCHBAR MIT R6-R18-R24 UND RL7 Ø8 - RL8)

2031C13	R31/C	10	1/4	16	17	17	31.5	28	11
2031C14	R31/C	10	3/8	19	17	17	31.5	30	11.5
2031C15	R31/C	12	3/8	19	19	19	34.5	31	11.5
2031C16	R31/C	12	1/2	22	19	19	34.5	33	14





T-EINSCHRAUBVERSCHRAUBUNG, ZYLINDRISCH (R32)



Bestellnr.	Ref.	Ø	F	CH	E	E1	L	L1	P
------------	------	---	---	----	---	----	---	----	---

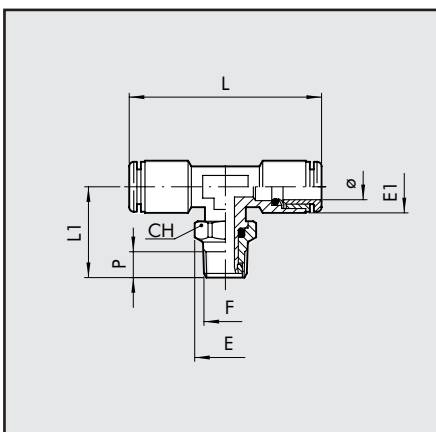
MINIATUR SERIE FOX

2L32002	RL32	4	1/8	12	14	9.5	35.2	19.1	6
2L32003	RL32	4	1/4	14	18	9.5	35.2	21.1	8
2L32008	RL32	6	1/8	12	14	11.3	41.8	19.1	6
2L32009	RL32	6	1/4	14	18	11.3	41.8	21.1	8
2L32010	RL32	8	1/8	12	14	13.5	48.6	19.1	6
2L32011	RL32	8	1/4	14	18	13.5	48.6	21.1	8
2L32012	RL32	8	3/8	17	22	13.8	47.4	27.1	9
2L32013	RL32	10	1/4	14	18	15.5	53	21.8	8
2L32014	RL32	10	3/8	17	22	15.5	53	27.1	9

SERIE R (NICHT AUSTAUSCHBAR MIT R6-R18-R24 UND RL7 Ø8 - RL8)

2032002	R32	4	1/8	13	15	10	45	21	6
2032005	R32	5	1/8	13	15	11.5	46	21	6
2032008	R32	6	1/8	13	15	12.5	49	21	6
2032009	R32	6	1/4	16	18	12.5	52	24.5	8
2032010	R32	8	1/8	13	15	14.5	55	22.5	6
2032011	R32	8	1/4	16	18	14.5	55	24.5	8
2032012	R32	8	3/8	19	22	14.5	59	30.5	9
2032013	R32	10	1/4	16	18	17	63	26.5	8
2032014	R32	10	3/8	19	22	17	63	30.5	9
2032017	R32	12	3/8	19	22	19	69	31.5	9
2032018	R32	12	1/2	22	26	19	69	33	11
2032019	R32	14	1/2	22	26	21.5	75	34.5	11

T-EINSCHRAUBVERSCHRAUBUNGEN KONISCH (RL32C)

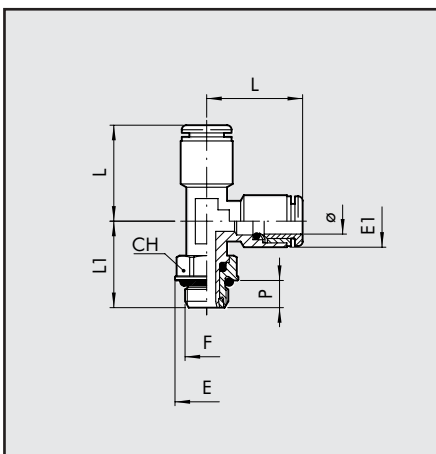


Bestellnr.	Ref.	Ø	F	CH	E	E1	L	L1	P
------------	------	---	---	----	---	----	---	----	---

MINIATUR SERIE FOX

2L32C02	RL32/C	4	1/8	12	13.3	9.5	35.2	19.8	6.2
2L32C03	RL32/C	4	1/4	14	15.4	9.5	35.2	22.6	8.5
2L32C08	RL32/C	6	1/8	12	13.3	11.3	41.8	19.8	6.2
2L32C09	RL32/C	6	1/4	14	15.4	11.3	41.8	22.6	8.5
2L32C10	RL32/C	8	1/8	12	13.3	13.5	48.6	19.8	6.2
2L32C11	RL32/C	8	1/4	14	15.4	13.5	48.6	23.6	8.5
2L32C12	RL32/C	8	3/8	17	19.2	13.8	47.4	28.1	9
2L32C13	RL32/C	10	1/4	14	15.4	15.5	53	26.3	8.5
2L32C14	RL32/C	10	3/8	17	19.2	15.5	53	28.1	9

L-EINSCHRAUBVERSCHRAUBUNGEN ZYLINDRISCH (R38)



Bestellnr.	Ref.	Ø	F	Ch	E	E1	L	L1	P
------------	------	---	---	----	---	----	---	----	---

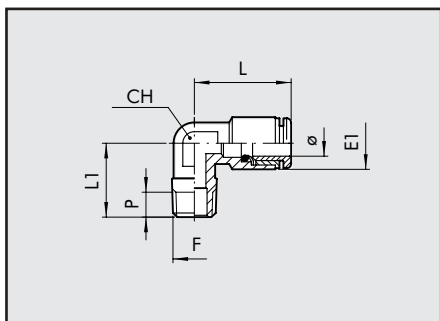
MINIATUR SERIE FOX

2L38002	RL38	4	1/8	12	14	9.5	17.6	19.1	6
2L38008	RL38	6	1/8	12	14	11.3	20.9	19.1	6
2L38009	RL38	6	1/4	14	18	11.3	20.9	21.1	8
2L38010	RL38	8	1/8	12	14	13.5	24.3	19.1	6
2L38011	RL38	8	1/4	14	18	13.5	24.3	22.1	8
2L38013	RL38	10	1/4	14	18	15.5	26.5	21.8	8
2L38014	RL38	10	3/8	17	22	15.5	26.5	27.1	9

SERIE R (NICHT AUSTAUSCHBAR MIT R6-R18-R24 UND RL7 Ø8 - RL8)

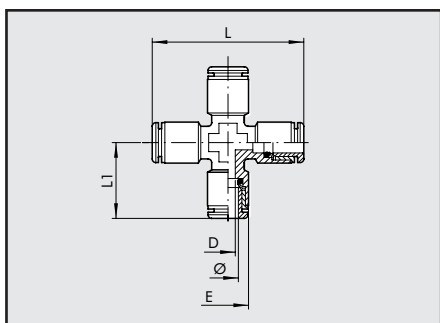
2038015	R38	12	3/8	19	22	19	34.5	31.5	9
2038016	R38	12	1/2	22	26	19	34.5	33	11

WINKELVERSCHRAUBUNGEN KONISCH (R39C)



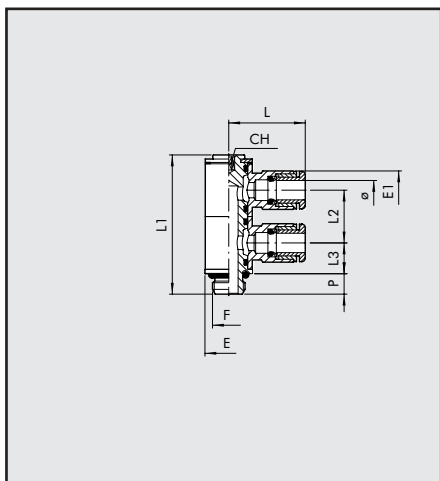
Bestellnr.	Ref.	Ø	F	CH	E1	L	L1	P
MINIATUR SERIE FOX								
2L39C02	RL39/C	4	1/8	10	9.5	17.6	16	6.2
2L39C08	RL39/C	6	1/8	10	11.3	20.9	16	6.2
2L39C09	RL39/C	6	1/4	10	11.3	20.9	18.5	8.5
2L39C10	RL39/C	8	1/8	10	13.5	24.3	16	6.2
2L39C11	RL39/C	8	1/4	10	13.5	24.3	18.5	8.5
2L39C13	RL39/C	10	1/4	14	16.5	31.5	22	8.5
SERIE R								
2039Z07	R39/Z	6	12x1 con.	12	14	25	17.5	7
2039Z08	R39/Z	6	12x1.25 con.	12	14	25	18.2	8

KREUZ-STECKVERBINDUNG (RL40)



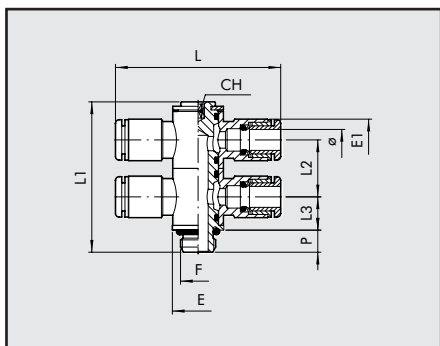
Bestellnr.	Ref.	Ø	D	E	L	L1
MINIATUR SERIE FOX						
2L40003	RL40	6	4.5	11.3	41.8	20.9
2L40004	RL40	8	6.5	14	48.6	24.3

ZWEIFACH WINKELSCHWENK VERSCHRAUBUNG (R50)



Bestellnr.	Ref.	Ø	F	CH	E	E1	L	L1	L2	L3	P
MINIATUR SERIE FOX											
2L50001	RL50	4	M5	2	9.5	9.5	18.7	30.3	11.5	6.8	4
2L50002	RL50	4	1/8	3	14	9.5	20.3	40.9	15.5	9.1	6
2L50007	RL50	6	M5	2	9.5	11.3	22.5	30.3	11.5	6.8	4
2L50008	RL50	6	1/8	3	14	11.3	22.5	40.9	15.5	9.1	6
2L50009	RL50	6	1/4	4	18	11.3	24.2	47	17.2	10.2	8
2L50010	RL50	8	1/8	3	14	13.8	24.4	40.9	15.5	9.1	6
2L50011	RL50	8	1/4	4	18	13.8	26.1	47	17.2	10.2	8
2L50013	RL50	10	1/4	4	18	15.5	31.3	47	17.2	10.2	8
SERIE R											
2033001	R33	4	1/8	5	14	11.5	25	42	15	10.5	6
2033002	R33	5	1/8	5	14	12	25	42	15	10.5	6
2033003	R33	6	1/8	5	14	13.5	25	42	15	10.5	6
2033004	R33	6	1/4	6	18	13.5	27.5	49	17	11.5	8
2033005	R33	8	1/8	5	14	15.5	30	42	15	10.5	6
2033006	R33	8	1/4	6	18	15.5	32	49	17	11.5	8

ZWEIFACH T-SCHWENK VERSCHRAUBUNG (RL51)

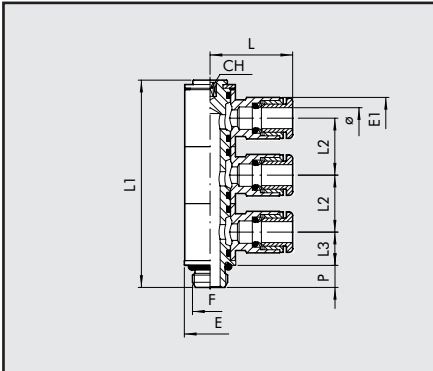


Bestellnr.	Ref.	Ø	F	Ch	E	E1	L	L1	L2	L3	P
MINIATUR SERIE FOX											
2L51001	RL51	4	M5	2	9.5	9.5	37.4	30.3	11.5	6.8	4
2L51002	RL51	4	1/8	3	14	9.5	40.6	40.9	15.5	9.1	6
2L51007	RL51	6	M5	2	9.5	11.3	45	30.3	11.5	6.8	4
2L51008	RL51	6	1/8	3	14	11.3	45	40.9	15.5	9.1	6
2L51009	RL51	6	1/4	4	18	11.3	48.4	47	17.2	10.2	8
2L51010	RL51	8	1/8	3	14	13.8	48.8	40.9	15.5	9.1	6
2L51011	RL51	8	1/4	4	18	13.8	56.2	47	17.2	10.2	8
2L51013	RL51	10	1/4	4	18	15.5	62.6	47	17.2	10.2	8



DREIFACH WINKELSCHWENK VERSCHRAUBUNG (RL52)

Bestellnr. Ref. Ø F Ch E E1 L L1 L2 L3 P

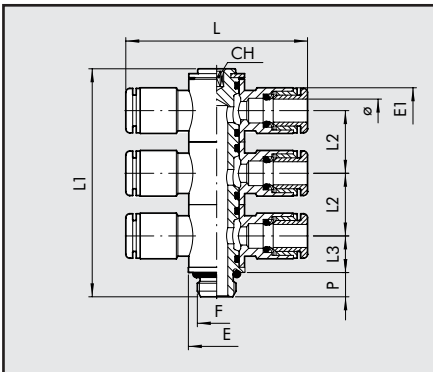


MINIATUR SERIE FOX

2L52002	RL52	4	1/8	3	14	9.5	20.3	56.7	15.5	9.1	6
2L52008	RL52	6	1/8	3	14	11.3	22.5	56.7	15.5	9.1	6
2L52009	RL52	6	1/4	4	18	11.3	24.2	64.3	17.2	10.2	8
2L52010	RL52	8	1/8	3	14	13.8	24.4	56.7	15.5	9.1	6
2L52011	RL52	8	1/4	4	18	13.8	26.1	64.3	17.2	10.2	8
2L52013	RL52	10	1/4	4	18	15.5	31.3	64.3	17.2	10.2	8

DREIFACH T-SCHWENK VERSCHRAUBUNG (RL53)

Bestellnr. Ref. Ø F Ch E E1 L L1 L2 L3 P

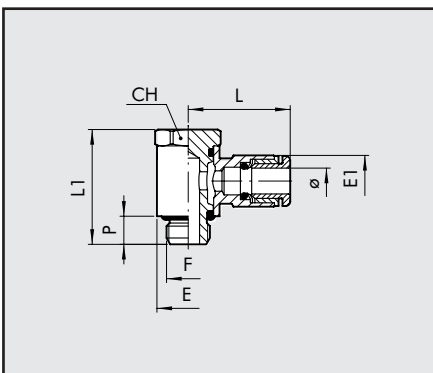


MINIATUR SERIE FOX

2L53002	RL53	4	1/8	3	14	9.5	40.6	56.7	15.5	9.1	6
2L53008	RL53	6	1/8	3	14	9.5	45	56.7	15.5	9.1	6
2L53009	RL53	6	1/4	4	18	11.3	48.4	64.3	17.2	10.2	8
2L53010	RL53	8	1/8	3	14	13.8	48.8	56.7	15.5	9.1	6
2L53011	RL53	8	1/4	4	18	13.8	56.2	64.3	17.2	10.2	8
2L53013	RL53	10	1/4	4	18	15.5	62.6	64.3	17.2	10.2	8

WINKELSCHWENK VERSCHRAUBUNG (RL54)

Bestellnr. Ref. Ø F Ch E E1 L L1 P

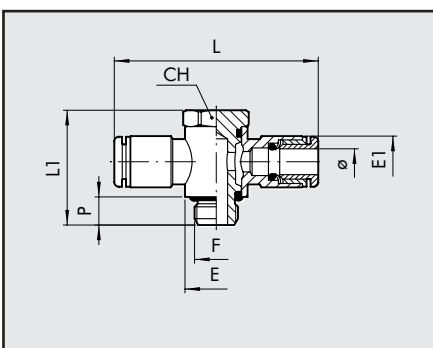


MINIATUR SERIE FOX

2L54001	RL54	4	M5	9	9.5	9.5	18.7	18.7	4.5
2L54002	RL54	4	1/8	13	14	9.5	20.3	25.3	6.2
2L54007	RL54	6	M5	9	9.5	11.3	22.5	18.7	4.5
2L54008	RL54	6	1/8	13	14	11.3	22.5	25.3	6.2
2L54009	RL54	6	1/4	16	18	11.3	24.2	29.2	8
2L54010	RL54	8	1/8	13	14	13.8	24.4	25.3	6.2
2L54011	RL54	8	1/4	16	18	13.8	26.1	29.2	8
2L54012	RL54	8	3/8	20	21	13.8	28.3	35.4	9
2L54013	RL54	10	1/4	16	18	15.5	31.3	29.2	8
2L54014	RL54	10	3/8	20	21	15.5	32	35.4	9

T-SCHWENK VERSCHRAUBUNG (RL55)

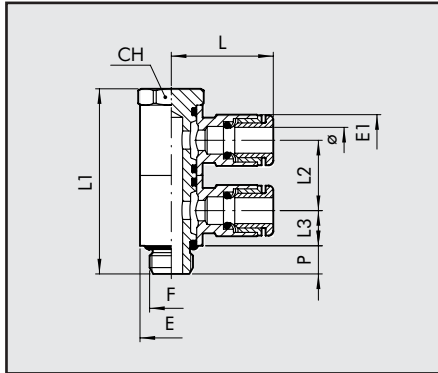
Bestellnr. Ref. Ø F Ch E E1 L L1 P



MINIATUR SERIE FOX

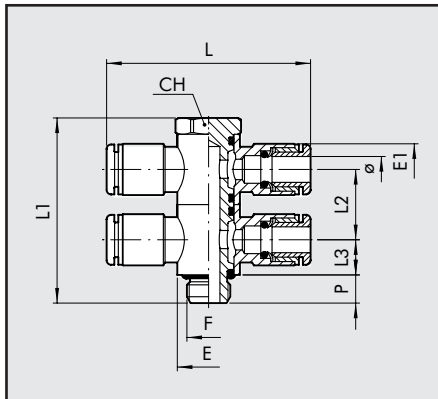
2L55001	RL55	4	M5	9	9.5	9.5	37.4	18.7	4.5
2L55002	RL55	4	1/8	13	14	9.5	40.6	25.3	6
2L55007	RL55	6	M5	9	9.5	11.3	45	18.7	4.5
2L55008	RL55	6	1/8	13	14	11.3	45	25.3	6
2L55009	RL55	6	1/4	16	18	11.3	48.4	29.2	8
2L55010	RL55	8	1/8	13	14	13.8	48.8	25.3	6
2L55011	RL55	8	1/4	16	18	13.8	52.2	29.2	8
2L55012	RL55	8	3/8	20	21	13.8	56.6	35.4	9
2L55013	RL55	10	1/4	16	18	15.5	62.6	29.2	8
2L55014	RL55	10	3/8	20	21	15.5	64	35.4	9

ZWEIFACH WINKELSCHWENK VERSCHRAUBUNG (RL56)



Bestellnr.	Ref.	∅	F	Ch	E	E1	L	L1	L2	L3	P
MINIATUR SERIE FOX											
2L56001	RL56	4	M5	9	9.5	9.5	18.7	30.2	11.5	5.8	4.5
2L56002	RL56	4	1/8	13	14	9.5	20.3	41	15.5	7.8	6
2L56007	RL56	6	M5	9	9.5	11.3	22.5	30.2	11.5	5.8	4.5
2L56008	RL56	6	1/8	13	14	11.3	22.5	41	15.5	7.8	6
2L56009	RL56	6	1/4	16	18	11.3	24.2	46.4	17.2	8.6	8
2L56010	RL56	8	1/8	13	14	13.8	24.4	41	15.5	7.8	6
2L56011	RL56	8	1/4	16	18	13.8	26.1	46.4	17.2	8.6	8
2L56012	RL56	8	3/8	20	21	13.8	28.3	56.8	21.4	10.7	9
2L56013	RL56	10	1/4	16	18	15.5	31.3	46.4	17.2	8.6	8
2L56014	RL56	10	3/8	20	21	15.5	32	56.8	21.4	10.7	9

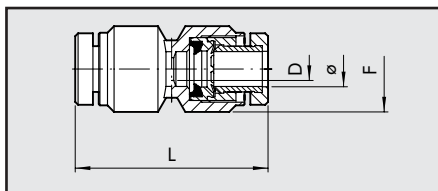
ZWEIFACH T-SCHWENK VERSCHRAUBUNG (RL57)



Bestellnr.	Ref.	∅	F	Ch	E	E1	L	L1	L2	L3	P
MINIATUR SERIE FOX											
2L57001	RL57	4	M5	9	9.5	9.5	37.4	30.2	11.5	5.8	4.5
2L57002	RL57	4	1/8	13	14	9.5	40.6	41	15.5	7.8	6
2L57007	RL57	6	M5	9	9.5	11.3	45	30.2	11.5	5.8	4.5
2L57008	RL57	6	1/8	13	14	11.3	45	41	15.5	7.8	6
2L57009	RL57	6	1/4	16	18	11.3	48.4	46.4	17.2	8.6	8
2L57010	RL57	8	1/8	13	14	13.8	48.8	41	15.5	7.8	6
2L57011	RL57	8	1/4	16	18	13.8	52.2	46.4	17.2	8.6	8
2L57012	RL57	8	3/8	20	21	13.8	56.6	56.8	21.4	10.7	9
2L57013	RL57	10	1/4	16	18	15.5	62.6	46.4	17.2	8.6	8
2L57014	RL57	10	3/8	20	21	15.5	64	56.8	21.4	10.7	9

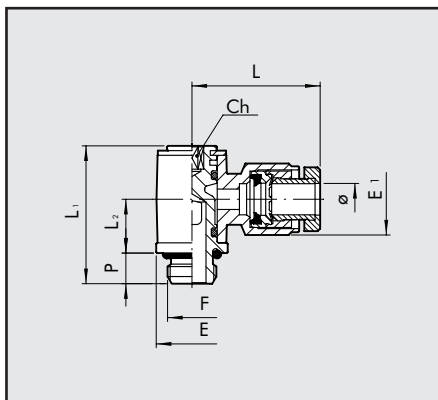
TECHNOPOLYMER VERSCHRAUBUNGEN

GERADE STECKVERBINDUNG (R19)



Bestellnr.	Ref.	∅	F	L	D
SERIE R					
2019001	R19	4	∅ 12.5	33.5	2
2019002	R19	5	∅ 14	33.5	4
2019003	R19	6	∅ 15	33.5	4
2019004	R19	8	∅ 16.5	40.0	6
2019005	R19	10	∅ 20	45.2	8
2019006	R19	12	∅ 22	50.5	10

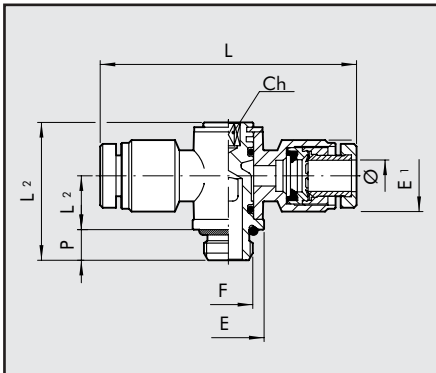
WINKELSCHWENKVERSCHRAUBUNG TECHNOPOLYMER (R20)



Bestellnr.	Ref.	∅	F	Ch	P	L	L1	L2	E	E1
SERIE R										
2020001	R20	4	M5	2	4	20.0	16.8	6.5	9.9	10.9
2020002	R20	4	1/8	3	6	22.5	27.0	10.5	14.0	12.5
2020003	R20	5	M5	2	4	21.5	18.8	8.5	9.9	13.5
2020004	R20	5	1/8	3	6	23.0	27.0	10.5	14.0	13.5
2020016	R20	6	M5	2	4	22.0	18.8	8.5	9.9	15.0
2020005	R20	6	1/8	3	6	22.5	27.0	10.5	14.0	15.0
2020007	R20	6	1/4	4	8	24.0	31.5	11.5	18.0	15.0
2020006	R20	8	1/8	3	6	25.5	27.0	10.5	14.0	16.5
2020008	R20	8	1/4	4	8	27.0	31.5	11.5	18.0	16.5
2020009	R20	10	1/4	4	8	32.0	31.5	11.5	18.0	18.5
2020010	R20	12	1/4	4	8	32.0	31.5	11.5	18.0	21.0
2020011	R20	12	3/8	5	9	34.0	36.0	13.5	22.0	21.0
2020012	R20	12	1/2	8	11	36.0	42.0	16.2	26.0	21.0

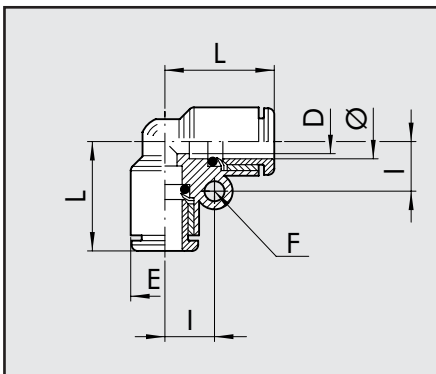


T-SCHWENKVERSCHRAUBUNGEN TECHNOPOLYMER (R20/A)



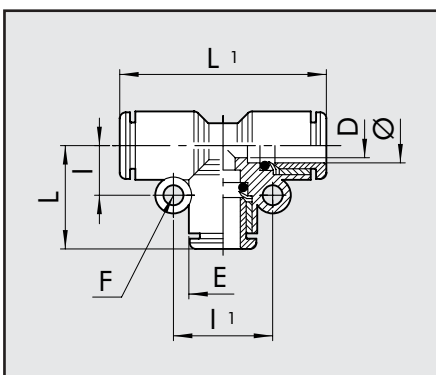
Bestellnr.	Ref.	Ø	F	Ch	P	L	L1	L2	E	E1
SERIE R										
2020A01	R20/A	4	M5	2	4	40	16.8	6.5	9.9	10.9
2020A02	R20/A	4	1/8	3	6	45	27	10.5	14	12.5
2020A03	R20/A	5	M5	2	4	43	18.8	8.5	9.9	13.5
2020A04	R20/A	5	1/8	3	6	46	27	10.5	14	13.5
2020A05	R20/A	6	1/8	3	6	45	27	10.5	14	15
2020A07	R20/A	6	1/4	4	8	48	31.5	11.5	18	15
2020A06	R20/A	8	1/8	3	6	51	27	10.5	14	16.3
2020A08	R20/A	8	1/4	4	8	54	31.5	11.5	18	16.3
2020A09	R20/A	10	1/4	4	8	64	31.5	11.5	18	18.5
2020A10	R20/A	12	1/4	4	9	64	31.5	11.5	18	21
2020A11	R20/A	12	3/8	5	11	68	36	13.5	22	21
2020A12	R20/A	12	1/2	8		72	42	16.2	26	21

WINKELSTECKVERBINDUNG TECHNOPOLYMER (R21)



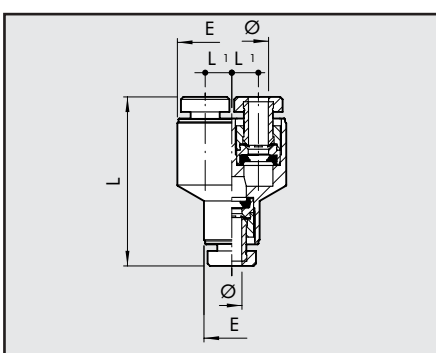
Bestellnr.	Ref.	Ø	L	D	E	I	F
MINIATUR SERIE FOX							
2L21001	RL21	4	15.8	2.5	9.2	7.2	3.3
2L21003	RL21	6	18.1	4.2	11.3	8.2	3.3
2L21004	RL21	8	20.5	6.2	13.8	9.6	3.3
SERIE R							
2021001	R21	4	19	3	12.5	-	-
2021002	R21	5	20	3.5	13.5	-	-
2021003	R21	6	20	4	15	-	-
2021004	R21	8	23.5	6	16.5	-	-
2021005	R21	10	27.5	8	18.5	-	-
2021006	R21	12	32.5	10	21	-	-

T-STECKVERBINDUNG TECHNOPOLYMER (R22)



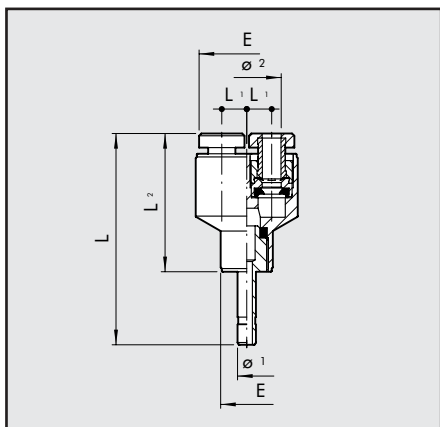
Bestellnr.	Ref.	Ø	L	L1	D	E	I	I1	F
MINIATUR SERIE FOX									
2L22001	RL22	4	15.8	31.6	2.5	9.2	7.2	14.4	3.3
2L22003	RL22	6	18.1	36.2	4.2	11.3	8.2	16.4	3.3
2L22004	RL22	8	20.5	41	6.2	13.8	9.6	19.2	3.3
SERIE R									
2022001	R22	4	19	38	3	12.5	-	-	-
2022002	R22	5	20	40	3.5	13.5	-	-	-
2022003	R22	6	20	40	4	15	-	-	-
2022004	R22	8	23.5	47	6	16.5	-	-	-
2022005	R22	10	27.5	55	8	18.5	-	-	-
2022006	R22	12	32.5	65	10	21	-	-	-

Y-STECKVERBINDUNG TECHNOPOLYMER (R23)



Bestellnr.	Ref.	Ø	L	L1	E
SERIE R					
2023001	R23	4	34	5.5	11
2023002	R23	5	35.5	6.5	13.5
2023003	R23	6	35.5	7	14
2023004	R23	8	44	8	16

Y-STECKANSCHLUSS TECHNOPOLYMER (R24)

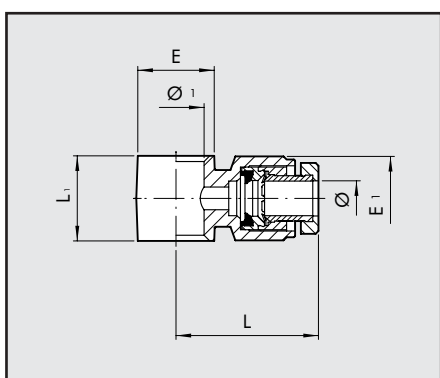


Bestellnr.	Ref.	Ø 1	Ø 2	L	L1	L2	E
------------	------	-----	-----	---	----	----	---

SERIE R

2024001	R24	4	4	46.5	5.5	30.0	11
2024003	R24	6	6	48.5	7.0	31.5	14

RINGANSCHLUSS TECHNOPOLYMER (R28)



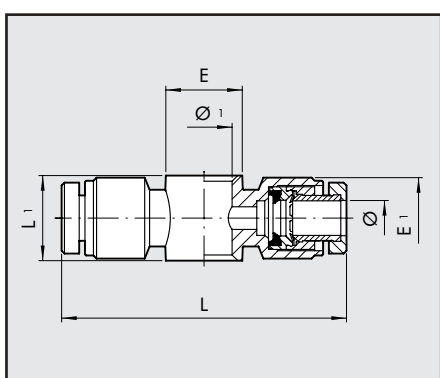
Bestellnr.	Ref.	Ø	Ø1	L	L1	E	E1
------------	------	---	----	---	----	---	----

SERIE R

2012102	R28	4	1/8	22.5	17	15	12.5
2012104	R28	5	1/8	23	17	15	13.5
2012106	R28	6	1/8	22.5	17	15	15
2012107	R28	6	1/4	24	19	18	15
2012108	R28	8	1/8	25.5	17	15	16.5
2012109	R28	8	1/4	27	19	18	16.5
2012110	R28	8	3/8	29	22	21.5	16.5
2012111	R28	10	1/4	32	19	18	18.5
2012112	R28	10	3/8	32	22	21.5	18.5
2012113	R28	12	1/4	32	19	18	21
2012114	R28	12	3/8	34	22	21.5	21
2012115	R28	12	1/2	36	24	26	21

Für die Hohlsschrauben der Serie D, siehe Seite 4.1/37

T-RINGANSCHLUSS TECHNOPOLYMER (R29)



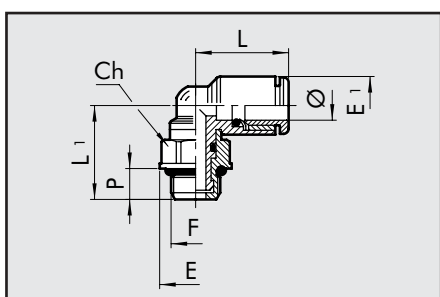
Bestellnr.	Ref.	Ø	Ø1	L	L1	E	E1
------------	------	---	----	---	----	---	----

SERIE R

2013102	R29	4	1/8	45	17	15	12.5
2013104	R29	5	1/8	46	17	15	13.5
2013106	R29	6	1/8	45	17	15	15
2013107	R29	6	1/4	48	19	18	15
2013108	R29	8	1/8	51	17	15	16.5
2013109	R29	8	1/4	54	19	18	16.5
2013110	R29	8	3/8	58	22	21.5	16.5
2013111	R29	10	1/4	64	19	18	18.5
2013112	R29	10	3/8	64	22	21.5	18.5
2013113	R29	12	1/4	64	19	18	21
2013114	R29	12	3/8	68	22	21.5	21
2013115	R29	12	1/2	72	24	26	21

Für die Hohlsschrauben der Serie D, siehe Seite 4.1/37

WINKELSCHWENKANSCHLUSS TECHNOPOLYMER (RL 34)



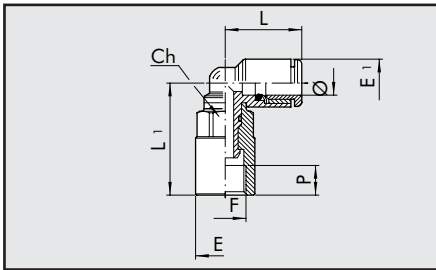
Bestellnr.	Ref.	Ø	F	Ch	P	L	L1	E	E1
------------	------	---	---	----	---	---	----	---	----

MINIATUR SERIE FOX

2L34001	RL34	4	M5	8	4	15.5	15.2	9	9.2
2L34020	RL34	4	M7	8	5	15.5	16.2	9.8	9.2
2L34002	RL34	4	1/8	12	6	15.5	17.2	14	9.2
2L34003	RL34	4	1/4	14	8	15.5	20.1	18	9.2
2L34006	RL34	6	M5	8	4	17.1	16.3	9	11.3
2L34021	RL34	6	M7	9	5	18.1	17.5	9.9	11.3
2L34007	RL34	6	1/8	12	6	18.1	18.3	14	11.3
2L34008	RL34	6	1/4	14	8	18.1	21.2	18	11.3
2L34009	RL34	8	1/8	12	6	19.3	19.5	14	13.8
2L34010	RL34	8	1/4	14	8	19.3	22.4	18	13.8
2L34011	RL34	8	3/8	17	9	19.3	24.4	22	13.8



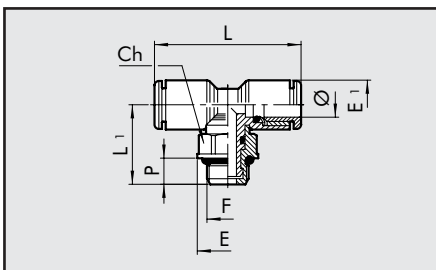
**WINKELSCHWENKVERSCHRAUBUNG
INNENGEWINDE, TECHNOPOLYMER (RL34/F)**



Bestellnr.	Ref.	Ø	F	CH	E	E1	L	L1	P
------------	------	---	---	----	---	----	---	----	---

MINIATUR SERIE FOX									
2L34F01	RL34/F	4	M5	8	9	9.2	15.5	15.3	4
2L34F06	RL34/F	6	M5	8	9	11.3	17.1	16.4	4
2L34F07	RL34/F	6	1/8	12	14	11.3	18.1	26.5	7
2L34F08	RL34/F	6	1/4	14	17	11.3	18.1	28.2	8
2L34F09	RL34/F	8	1/8	12	14	13.8	19.3	27.7	7
2L34F10	RL34/F	8	1/4	14	17	13.8	19.3	29.4	8

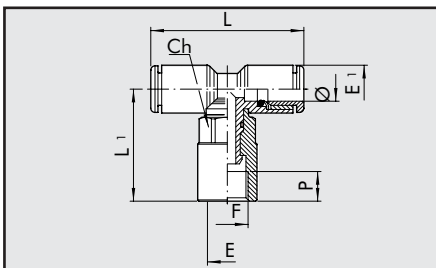
**T-SCHWENKVERSCHRAUBUNG
TECHNOPOLYMER (RL35)**



Bestellnr.	Ref.	Ø	F	Ch	P	L	L1	E	E1
------------	------	---	---	----	---	---	----	---	----

MINIATUR SERIE FOX									
2L35001	RL35	4	M5	8	4	31	15.2	9	9.2
2L35002	RL35	4	M7	8	5	31	16.2	9.8	9.2
2L35003	RL35	4	1/8	12	6	31	17.2	14	9.2
2L35003	RL35	4	1/4	14	8	31	20.1	18	9.2
2L35006	RL35	6	M5	8	4	34.2	16.3	9	11.3
2L35007	RL35	6	1/8	12	6	36.2	18.3	14	11.3
2L35008	RL35	6	1/4	14	8	36.2	21.2	18	11.3
2L35009	RL35	8	1/8	12	6	38.6	19.5	14	13.8
2L35010	RL35	8	1/4	14	8	38.6	22.4	18	13.8
2L35011	RL35	8	3/8	17	9	38.6	24.4	22	13.8

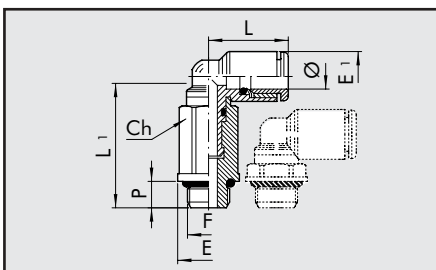
**T-SCHWENKVERSCHRAUBUNG
INNENGEWINDE, TECHNOPOLYMER (RL35/F)**



Bestellnr.	Ref.	Ø	F	CH	E	E1	L	L1	P
------------	------	---	---	----	---	----	---	----	---

MINIATUR SERIE FOX									
2L35F01	RL35/F	4	M5	8	9	9.2	31	15.3	4
2L35F06	RL35/F	6	M5	8	9	11.3	34.2	16.4	4
2L35F07	RL35/F	6	1/8	12	14	11.3	36.2	26.5	7
2L35F08	RL35/F	6	1/4	14	17	11.3	36.2	28.2	8
2L35F09	RL35/F	8	1/8	12	14	13.8	38.6	27.7	7
2L35F10	RL35/F	8	1/4	14	17	13.8	38.6	29.4	8

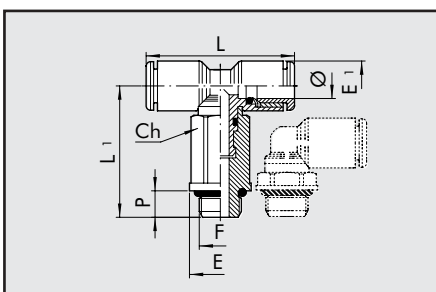
**VERLÄNGERTER WINKELSCHWENK
VERSCHRAUBUNG, TECHNOPOLYMER (RL 36)**



Bestellnr.	Ref.	Ø	F	Ch	P	L	L1	E	E1
------------	------	---	---	----	---	---	----	---	----

MINIATUR SERIE FOX									
2L36001	RL36	4	M5	8	4	15.5	26.7	9	9.2
2L36020	RL36	4	M7	8	5	15.5	27.7	9.8	9.2
2L36002	RL36	4	1/8	12	6	15.5	25.3	14	9.2
2L36006	RL36	6	M5	8	4	17.1	27.8	9	11.3
2L36021	RL36	6	M7	9	5	18.1	29.3	9.9	11.3
2L36007	RL36	6	1/8	12	6	18.1	30.9	14	11.3
2L36008	RL36	6	1/4	14	8	18.1	33.2	18	11.3
2L36009	RL36	8	1/8	12	6	19.3	32.1	14	13.8
2L36010	RL36	8	1/4	14	8	19.3	34.4	18	13.8

**VERLÄNGERTE T-SCHWENK
VERSCHRAUBUNG, TECHNOPOLYMER (RL37)**

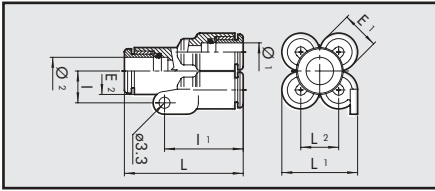


Bestellnr.	Ref.	Ø	F	Ch	P	L	L1	E	E1
------------	------	---	---	----	---	---	----	---	----

MINIATUR SERIE FOX									
2L37001	RL37	4	M5	8	4	31	26.7	9	9.2
2L37020	RL37	4	M7	8	5	31	27.5	9.8	9.2
2L37002	RL37	4	1/8	12	6	31	25.3	14	9.2
2L37006	RL37	6	M5	8	4	34.2	27.8	9	11.3
2L37007	RL37	6	1/8	12	6	36.2	30.9	14	11.3
2L37008	RL37	6	1/4	14	8	36.2	33.2	18	11.3
2L37009	RL37	8	1/8	12	6	38.6	32.1	14	13.8
2L37010	RL37	8	1/4	14	8	38.6	34.4	18	13.8

**KREUZVERSCHRAUBUNG
TECHNOPOLYMER (RL42)**

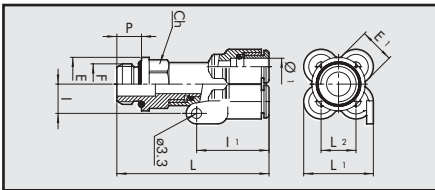
Bestellnr.	Ref.	\varnothing_1	\varnothing_2	E1	E2	L	L1	L2	I	I1
------------	------	-----------------	-----------------	----	----	---	----	----	---	----


MINIATUR SERIE FOX

2L42001	RL42	4	4	9.2	9.2	28.8	17.9	8.7	8	21.3
2L42002	RL42	4	6	9.2	11.3	31.3	17.9	8.7	8	21.3
2L42004	RL42	6	6	11.3	11.3	33.4	22.6	11.3	9.5	25.6
2L42005	RL42	6	8	11.3	14	34.8	22.6	11.3	9.5	25.6

**KREUZVERSCHRAUBUNG TECHNOPOLYMER
MIT GEWINDEANSCHLUSS (RL43)**

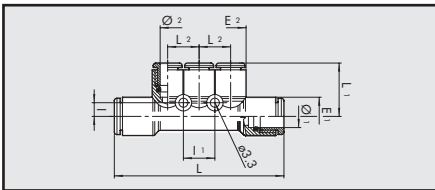
Bestellnr.	Ref.	\varnothing_1	F	E1	E	Ch	P	L	L1	L2	I	I1
------------	------	-----------------	---	----	---	----	---	---	----	----	---	----


MINIATUR SERIE FOX

2L43001	RL43	4	M5	9.2	8	9	4	35.5	17.9	8.7	8	21.3
2L43002	RL43	4	1/8	9.2	14	12	6	41.6	17.9	8.7	8	21.3
2L43003	RL43	4	1/4	9.2	18	14	8	44.6	17.9	8.7	8	21.3
2L43008	RL43	6	1/8	11.3	14	12	6	43.7	22.6	11.3	9.5	25.6
2L43009	RL43	6	1/4	11.3	18	14	8	46.7	22.6	11.3	9.5	25.6

**DREIFACHWINKELVERSCHRAUBUNG
TECHNOPOLYMER (RL44)**

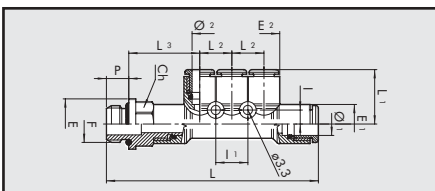
Bestellnr.	Ref.	\varnothing_1	\varnothing_2	E1	E2	L	L1	L2	I	I1
------------	------	-----------------	-----------------	----	----	---	----	----	---	----


MINIATUR SERIE FOX

2L44001	RL44	6	4	11.3	9.2	53.2	17.2	9.4	4.3	9.4
2L44003	RL44	8	6	14	11.3	61.4	19.6	11.5	5	11.5

**DREIFACHWINKELVERSCHRAUBUNG MIT
GEWINDEANSCHLUSS TECHNOPOLYMER (RL45)**

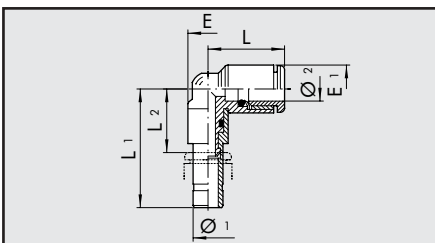
Bestellnr.	Ref.	F	\varnothing_1	\varnothing_2	E1	E2	E	Ch	P	L	L1	L2	L3	I	I1
------------	------	---	-----------------	-----------------	----	----	---	----	---	---	----	----	----	---	----


MINIATUR SERIE FOX

2L45001	RL45	1/8	6	4	11.3	9.2	14	12	6	63.5	17.2	9.4	21.5	4.3	9.4
2L45002	RL45	1/4	6	4	11.3	9.2	18	14	8	66.5	17.2	9.4	22.5	4.3	9.4
2L45007	RL45	1/8	8	6	14	11.3	15	14	6	71.2	19.6	11.5	23	5	11.5
2L45008	RL45	1/4	8	6	14	11.3	18	14	8	75.6	19.6	11.5	25.4	5	11.5
2L45009	RL45	3/8	8	6	14	11.3	22	17	9	77.2	19.6	11.5	26	5	11.5

**WINKEL-
STECKANSCHLUSS (RL46)**

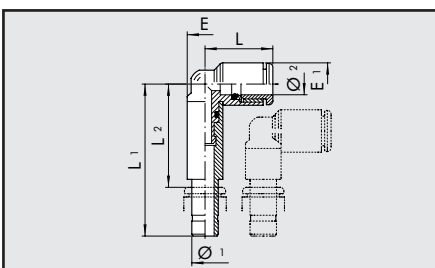
Bestellnr.	Ref.	\varnothing_1	\varnothing_2	L	L1	L2	E	E1
------------	------	-----------------	-----------------	---	----	----	---	----


MINIATUR SERIE FOX

2L46001	RL46	4	4	15.5	26.9	13.4	7.7	9.2
2L46002	RL46	6	6	18.1	28.8	14.1	9.3	11.3
2L46003	RL46	8	8	19.3	30.4	14.3	9.7	13.8

**VERLÄNGERTER WINKEL-
STECKANSCHLUSS (RL47)**

Bestellnr.	Ref.	\varnothing_1	\varnothing_2	L	L1	L2	E	E1
------------	------	-----------------	-----------------	---	----	----	---	----

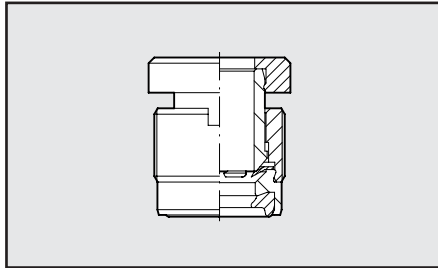

MINIATUR SERIE FOX

2L47001	RL47	4	4	15.5	36.9	23.4	7.7	9.2
2L47002	RL47	6	6	18.1	40.6	25.9	9.3	11.3
2L47003	RL47	8	8	19.3	44.9	28.8	9.7	13.8



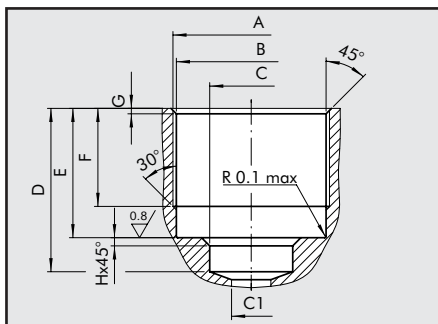
CARTRIDGES UND ZUBEHÖR

MESSING CARTRIDGE GEWINDEAUSFÜHRUNG (R26)



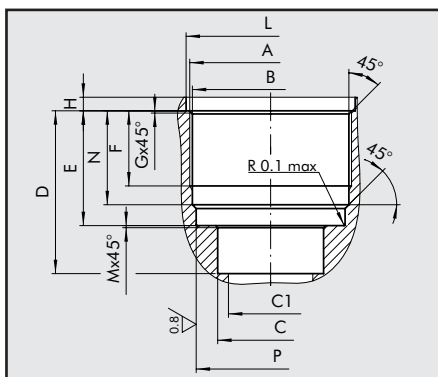
Bestellnr.	Ref.	Ø	Anzugsdrehmoment in Kunststoff (Nm)	Anzugsdrehmoment in Metal (Nm)
SERIES R				
2026A02	R26	3	0.6	0.8
2026A01	R26	3.17	0.6	0.8
2026001	R26	4	0.8	1
2026002	R26	5	0.8	1.5
2026003	R26	6	0.8	1.2
2026004	R26	8	1	1.8
2026005	R26	10	0.8	2
2026006	R26	12	0.8	2

BOHRUNG-CARTRIDGESITZ (R26) Ø 3-3.17-4-6-8



Ref.	Ø	A	B	C	C1	D	E	F	G	H
SE.CA. R26	3-3.17	M7x0,75	Ø6.5 ^{+0.1} ₋₀	Ø4.5 ^{+0.12} ₋₀	Ø4 max	10.5 ^{+0.3} ₋₀	9.5 ^{+0.1} _{-0.3}	7 ^{±0.20}	0,5	-
SE.CA. R26	4	M9,5x0,75	Ø9 ^{+0.10} ₋₀	Ø4,1 ^{+0.10} ₋₀	Ø3 max	12 ^{+0.20} ₋₀	9,5 ^{+0.15} _{-0.05}	7,5 ^{±0.20}	0,4	0,6
SE.CA. R26	6	M11,5x0,75	Ø11 ^{+0.10} ₋₀	Ø6,1 ^{+0.10} ₋₀	Ø5 max	12 ^{±0.1}	9,5 ^{±0.1}	7,5 ^{±0.20}	0,4	0,6
SE.CA. R26	8	M13,5x0,75	Ø13 ^{+0.10} ₋₀	Ø8,1 ^{+0.10} ₋₀	Ø7 max	15 ⁺⁰ _{-0.20}	10,5 ^{+0.15} _{-0.05}	8,5 ^{±0.20}	0,4	0,6

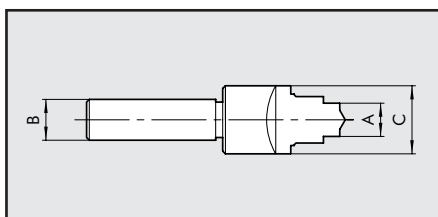
BOHRUNG-CARTRIDGESITZ (R26) Ø 5-10-12



Ref.	Ø	A	B	C	C1	D	E	F	G	H
SE.CA. R26	5	M10,5x0,75	Ø10 ^{+0.1} ₋₀	Ø5,1 ^{+0.15} ₋₀	Ø4 max	11,8 ^{±0.1}	8,9 ^{+0.10} ₋₀	5,8 ^{±0.3} ₋₀	0,3	0,9 ⁺⁰ _{-0.3}
SE.CA. R26	10	M15,5x0,75	Ø15 ^{+0.1} ₋₀	Ø10,1 ^{+0.15} ₋₀	Ø9 max	15,6 ^{±0.1}	11 ^{±0.05}	7,5 ^{±0.3} ₋₀	0,3	1,3 ⁺⁰ _{-0.3}
SE.CA. R26	12	M18x1	Ø17,5 ^{+0.05} _{-0.1}	Ø12,1 ^{+0.05} _{-0.15}	Ø11 max	18 ^{±0.1}	12 ^{±0.05}	6,8 ^{±0.3} ₋₀	0,6	1,3 ⁺⁰ _{-0.3}

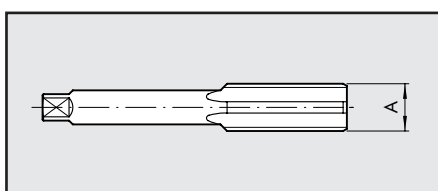
L	M	N	P
Ø11,2 ^{+0.12} _{-0.02}	0,1	7,8 ^{±0.05}	Ø9,7 ^{±0.05}
Ø16,2 ^{+0.1} _{-0.05}	0,2	9 ^{±0.05}	Ø14,9 ^{+0.10} ₋₀
Ø18,8 ^{+0.1} ₋₀	0,2	9,75 ⁺⁰ _{-0.15}	Ø17 ^{+0.1} ₋₀

BOHRWERKZEUG (R26)



Bestellnr.	Ref.	A	B	C
2025010	UT.SE. R26 3-3.17	4,5	Ø 10	Ø 10
2025011	UT.SE. R26 4	4,1	Ø 12	Ø 15
2025012	UT.SE. R26 5	5,1	Ø 15	Ø 19
2025013	UT.SE. R26 6	6,1	Ø 16	Ø 19
2025014	UT.SE. R26 8	8,1	Ø 16	Ø 21
2025015	UT.SE. R26 10	10,1	Ø 18	Ø 25
2025016	UT.SE. R26 12	12,1	Ø 15	Ø 25

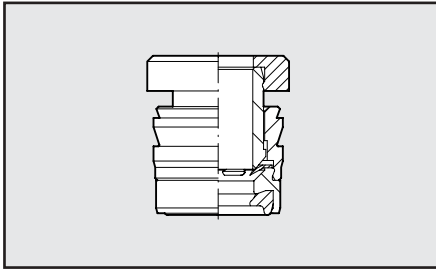
GEWINDEWERKZEUG (R26)



Bestellnr.	Ref.	Ø	A
2025020	MA R26 3-3.17	3-3.17	M7x0,75
2025021	MA R26 4	4	M9,5x0,75
2025022	MA R26 5	5	M10,5x0,75
2025023	MA R26 6	6	M11,5x0,75
2025024	MA R26 8	8	M13,5x0,75
2025025	MA R26 10	10	M15,5x0,75
2025026	MA R26 12	12	M18x1

**MESSING CARTRIDGE (R27)
PRESSAUSFÜHRUNG**

Bestellnr. Ref. Ø

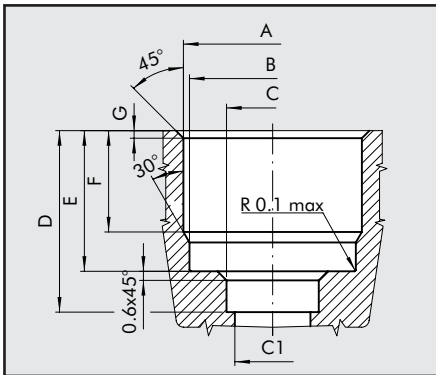


SERIE R

2027001	R27	4
2027002	R27	5
2027003	R27	6
2027004	R27	8
2027005	R27	10
2027006	R27	12

**BOHRUNG-CARTRIDGE SITZ (R27)
Ø 4-6-8**

Ref. Ø A B C C1 D E F G



Aluminium

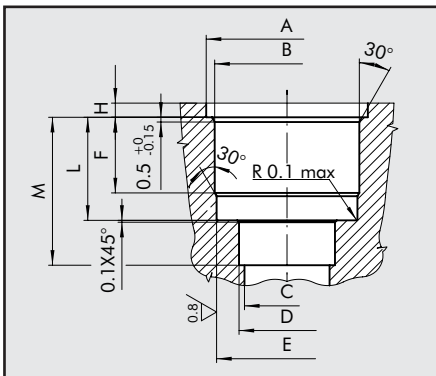
SE.CA. R27 4	4	Ø9,2 ⁺⁰ _{-0,10}	Ø9 ^{+0,10} ₋₀	Ø4,1 ^{+0,10} ₋₀	Ø3 max	12 ⁺⁰ _{-0,20}	9,3 ⁺⁰ _{-0,10}	6,7 ^{+0,10} ₋₀	0,5
SE.CA. R27 6	6	Ø11,3 ⁺⁰ _{-0,08}	Ø11 ^{+0,10} ₋₀	Ø6,1 ^{+0,10} ₋₀	Ø5 max	12 ⁺⁰ _{-0,20}	9,3 ⁺⁰ _{-0,10}	6,7 ^{+0,10} ₋₀	0,5
SE.CA. R27 8	8	Ø13,3 ⁺⁰ _{-0,08}	Ø13 ^{+0,10} ₋₀	Ø8,1 ^{+0,10} ₋₀	Ø7 max	15 ⁺⁰ _{-0,20}	10,3 ⁺⁰ _{-0,10}	7,7 ^{+0,10} ₋₀	0,5

Kunststoff

SE.CA. R27 4	4	Ø9,2 ⁺⁰ _{-0,10}	Ø9 ^{+0,10} ₋₀	Ø4,1 ^{+0,10} ₋₀	Ø3 max	12 ⁺⁰ _{-0,20}	9,3 ⁺⁰ _{-0,10}	6,7 ^{+0,10} ₋₀	0,5
SE.CA. R27 6	6	Ø11,2 ⁺⁰ _{-0,10}	Ø11 ^{+0,10} ₋₀	Ø6,1 ^{+0,10} ₋₀	Ø5 max	12 ⁺⁰ _{-0,20}	9,3 ⁺⁰ _{-0,10}	6,7 ^{+0,10} ₋₀	0,5
SE.CA. R27 8	8	Ø13,2 ⁺⁰ _{-0,10}	Ø13 ^{+0,10} ₋₀	Ø8,1 ^{+0,10} ₋₀	Ø7 max	15 ⁺⁰ _{-0,20}	10,3 ⁺⁰ _{-0,10}	7,7 ^{+0,10} ₋₀	0,5

**BOHRUNG-CARTRIDGE SITZ (R27)
Ø 5-10-12**

Ref. Ø A B C D E F H L M



Technopolymer

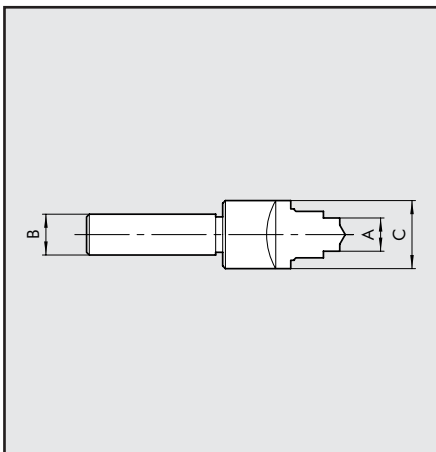
SE.CA. R27	5	Ø12,1 ^{+0,15} ₋₀	Ø10,2 ⁺⁰ _{-0,10}	Ø4 ^{MAX}	Ø5,1 ^{+0,15} ₋₀	Ø9,7 ^{±0,05}	6 ^{+0,2} ₋₀	1,2 ⁻⁰ _{-0,2}	8,75 ⁻⁰ _{-0,1}	11,8 ^{±0,10}
SE.CA. R27	10	Ø17,1 ^{+0,15} ₋₀	Ø15,15 ⁺⁰ _{-0,08}	Ø9 ^{MAX}	Ø10,15 ^{+0,1} ₋₀	Ø14,9 ^{±0,05}	8 ^{+0,2} ₋₀	1,5 ⁻⁰ _{-0,2}	10,9 ⁻⁰ _{-0,1}	15,6 ^{±0,10}
SE.CA. R27	12	Ø19,7 ^{+0,15} ₋₀	Ø17,55 ⁺⁰ _{-0,08}	Ø11 ^{MAX}	Ø12,15 ^{+0,1} ₋₀	Ø17,1 ^{±0,05}	9 ^{+0,2} ₋₀	1,5 ⁻⁰ _{-0,2}	11,85 ⁻⁰ _{-0,1}	18 ^{±0,10}

Aluminium

SE.CA. R27	5	Ø12,1 ^{+0,15} ₋₀	Ø10,3 ⁺⁰ _{-0,08}	Ø4 ^{MAX}	Ø5,1 ^{+0,15} ₋₀	Ø9,7 ^{±0,05}	6 ^{+0,2} ₋₀	1,2 ⁻⁰ _{-0,2}	8,75 ⁻⁰ _{-0,1}	11,8 ^{±0,10}
SE.CA. R27	10	Ø17,1 ^{+0,15} ₋₀	Ø15,4 ⁺⁰ _{-0,08}	Ø9 ^{MAX}	Ø10,15 ^{+0,1} ₋₀	Ø14,9 ^{±0,05}	8 ^{+0,2} ₋₀	1,5 ⁻⁰ _{-0,2}	10,9 ⁻⁰ _{-0,1}	15,6 ^{±0,10}
SE.CA. R27	12	Ø19,7 ^{+0,15} ₋₀	Ø17,8 ⁺⁰ _{-0,08}	Ø11 ^{MAX}	Ø12,15 ^{+0,1} ₋₀	Ø17,1 ^{±0,05}	9 ^{+0,2} ₋₀	1,5 ⁻⁰ _{-0,2}	11,85 ⁻⁰ _{-0,1}	18 ^{±0,10}

BOHRWERKZEUG (R27)

Bestellnr. Ref. A B C



Aluminium

2027021	UT.SE. R27 AL. 4	4,1	Ø 10	11.5
2027022	UT.SE. R27 AL. 5	5,1	Ø 12	16
2027023	UT.SE. R27 AL. 6	6,1	Ø 12	13.5
2027024	UT.SE. R27 AL. 8	8,1	Ø 12	15.5
2027025	UT.SE. R27 AL. 10	10,1	Ø 16	20
2027026	UT.SE. R27 AL. 12	12,1	Ø 16	22

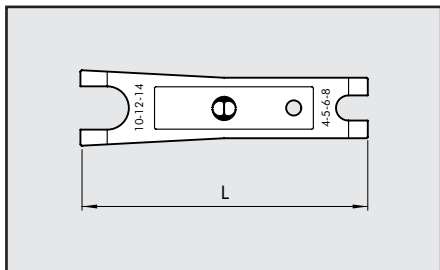
Kunststoff

2027011	UT.SE. R27 P. 4	4,1	Ø 10	11.5
2027012	UT.SE. R27 P. 5	5,1	Ø 12	16
2027013	UT.SE. R27 P. 6	6,1	Ø 12	13.5
2027014	UT.SE. R27 P. 8	8,1	Ø 12	15.5
2027015	UT.SE. R27 P. 10	10,1	Ø 16	20
2027016	UT.SE. R27 P. 12	12,1	Ø 16	22



MONTAGE LÖSESCHLÜSSEL (R17)

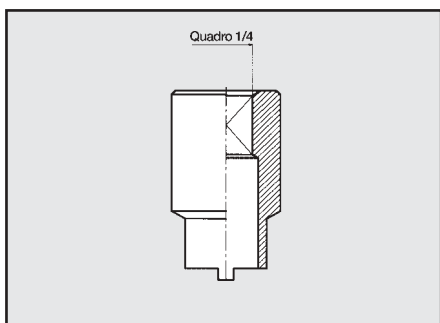
Bestellnr.	Ref.	L	Ø TUBE	ANMERKUNGEN
------------	------	---	--------	-------------



2L17001	RL40	140	von ø 3 bis ø 19	FÜR R- UND FOX-VERSCHRAUBUNGEN
2017001	R40	95.0	von ø 4 bis ø 14	NUR FÜR R-VERSCHRAUBUNGEN

CARTRIDGE SCHLÜSSEL (R41)

Bestellnr.	Ref.	L
------------	------	---



2041001	R41	4
2041002	R41	5
2041003	R41	6
2041004	R41	8
2041005	R41	10
2041006	R41	12

ANMERKUNGEN

Blank area for notes.